

# MULTI-PURPOSE, TABLE-TOP CENTRIFUGE

## 1696R





## Multi-Purpose, Table-Top Centrifuge **1696R**

The refrigerated GYROZEN 1696R combines high capacity and performance in an attractive form that clearly sets itself from the others. It combines a high capacity of up to 4 x 1,000 mL, with class-leading versatility of 11 kinds of fixed angle rotors and 6 kinds of swing-out rotors with different tube racks. It also features the improved high-performance motor specifically developed for 1696R to minimize any speed deviation, which makes it ideal for a setting that requires both precision and consistency in every step.

### Features

- High centrifugation speed that goes up to 27,590 xg (16,000 rpm)
- Swing-Out bucket rotors accommodate tubes and bottles from 0.2 mL to 1,000 mL
- Motorized soft-touch lid for easy effortless closing
- Highly visible display screen with integrated touch buttons for easy maintenance
- Numeric keys for quick setting
- Fast-Cool function that sets temperature to 4°C in 5 minutes for a quick start
- Key-lock function to prevent any unintentional changes during operation
- Automatic rotor recognition and imbalance detection warning for safety



### Technical Specifications

Max. RPM/RCF	Fixed Angle	16,000 / 27,590 xg
	Swing-Out	5,000 / 5,394 xg
Max. Capacity	Fixed Angle	6 x 250 mL
	Swing-Out	4 x 1,000 mL
Temp. Range		-11°C ~ 40°C
Fast Cool Button		Yes
Time Control		Timed < 10 hr or Continuous
Time Counting Modes		Selectable, At Set Speed Or From Starting
RPM/RCF conversion		Yes
Noise level (dB)		< 60dB (GRS-B-750-4 : < 70dB)
ACC/DEC		9/10 steps
Program memory		100 (4 Easy Program Save/Call)
Parameters on display window		RPM (RCF), Time, Temp, ACC, DEC
Display		White FND
Automatic rotor identification		Yes
Imbalance cut-off		Yes
Safety lid lock		Yes
Lid drop protection		Yes
Motorized lid open & close		Yes
Automatic lid release at completion		Yes
Power supply		230 V, 50 Hz (AC 220-230 V, 50/60 Hz; 110 V optional)
Power requirement		2.0kVA
Dimension (W x D x H, mm)		775 x 695 x 395
Weight without rotor (kg)		116 kg
Cat. No.		GZ-1696R

## Rotors for 1696R

### Swing out Rotor



Cat. No.	GRS-B-1000-4	GRS-B-1000-4	GRS-B-1000-4	GRS-B-750-4	GRS-B-750-4
Max. speed	3,700 rpm	3,700 rpm	3,700 rpm	4,600 rpm	4,600 rpm
Max. g-force	3,337 xg	3,092 xg	3,084 xg	4,850 xg	5,157 xg
Max. Capacity	4 x 1,000 mL	4 x 2 x 250 mL	4 x 10 x 50 mL conical	4 x 750 mL	4 x 500 mL



Cat. No.	GRS-B-750-4	GRS-B-r750-4	GRS-B-250-4	GRS-B-r250-4	GRS-B-100-6
Max. speed	4,600 rpm	3,600 rpm	5,000 rpm	4,000 rpm	4,200 rpm
Max. g-force	4,033 xg	2,898 xg	5,394 xg	3,134 xg	3,424 xg
Max. Capacity	4 x 4 MTPs	4 x 750 mL	4 x 250 mL	4 x 250 mL	6 x 100 mL

### Fixed Angle Rotor



Cat. No.	GRF-B-250-6	GRF-B-85-6	GRF-B-c50-6	GRF-B-50-8	GRF-B-15-24
Max. speed	8,000 rpm	12,000 rpm	13,000rpm	15,000 rpm	8,000 rpm
Max. g-force	9,588 xg	17,709 xg	18,592 xg	25,910 xg	8,872 xg
Max. Capacity	6 x 250 mL	6 x 85 mL	6 x 15/50 mL conical	8 x 50 mL	24 x 15 mL



Cat. No.	GRF-B-15-12	GRF-B-c15-12	GRF-B-m5.0-20	GRF-B-m2.0-48	GRF-B-m2.0-30
Max. speed	15,000 rpm	15,000 rpm	13,500 rpm	15,000 rpm	16,000 rpm
Max. g-force	25,155 xg	25,910 xg	22,209 xg	24,602 xg	27,590 xg
Max. Capacity	12 x 10/15 mL	12 x 15 mL conical	20 x 5.0 mL	48 x 1.5/2.0 mL	30 x 1.5/2.0 mL



Cat. No.	GRF-B-s0.2-64
Max. speed	12,000 rpm
Max. g-force	10,803 xg
Max. Capacity	64 x 0.2 mL

## Advanced Features



### Accurate Speed

± 0.1% speed deviation



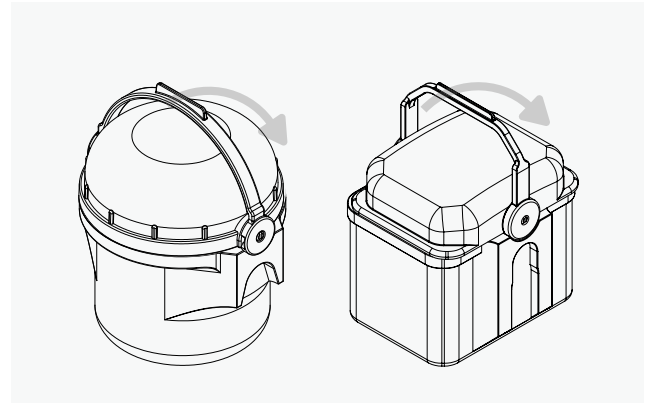
### Large Display With Integrated Touch Buttons

Contourless single continuous display with integrated touch buttons for easy handling



### Built in Storage

Thanks to its smart use of space, the emergency tool and level is always within easy reach for maximum operational convenience



### Click Type Bucket For Safe Sealing

Locking mechanism is incorporated within the handle for safe sealing



### High-throughput, Large Capacity

Swing out Rotor, GRS-B-1000-4 with GLB-h1000-1000 bucket



# EXPERTS IN LABORATORY EQUIPMENT

CENTRIFUGES

CONCENTRATORS

FREEZE DRYERS

DEEP FREEZERS

CO<sub>2</sub> INCUBATOR

MIXERS & SHAKERS

*PROUDLY MADE IN KOREA*

**[www.gyrozen.com](http://www.gyrozen.com)**