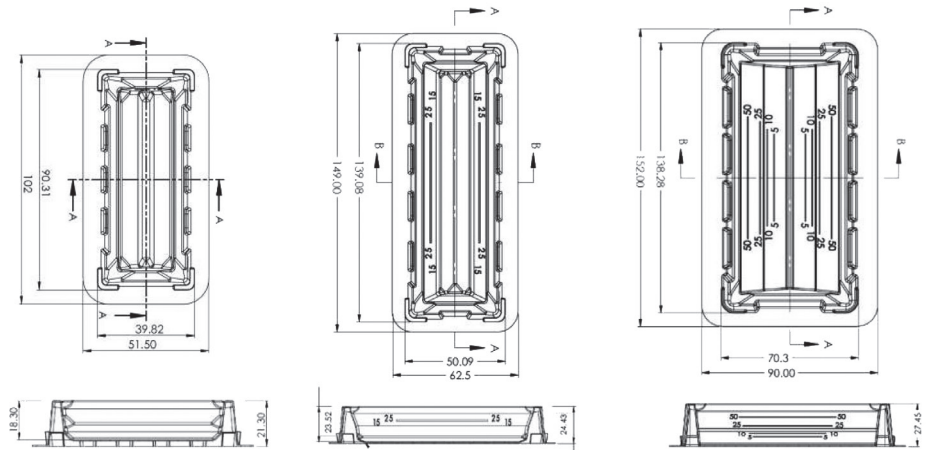


ahn Reagent Reservoirs

10 mL | 25 mL | 50 mL

Description	10 mL Reservoir	25 mL Reservoir	50 mL Reservoir
Maximum Volume	10 mL	25 mL	50 mL
Graduation Marks	No	Yes at 15, 25 mL	Yes at 5, 10, 25, 50 mL
Certified DNase, RNase and endotoxin free	Yes	Yes	Yes

Technical Drawing



Bulk Packaging	3-701-11-9 (10x20 pcs.)	3-702-11-9 (10x20 pcs.)	3-703-11-9 (10x20 pcs.)
Autoclavable	No	No	No

Solvent	Compatibility	Solvent	Compatibility	Solvent	Compatibility
Acetone	No	Phenol 10%	No	Chlorine	No
Ammonium Chloride	Yes	Tromethamine	Yes	Formaldehyde	Yes
Ammonium Sulfate	Yes	Edeate Disodium	Yes	Hexanes	No
Dimethylsulfoxide	No	Acetic Acid, Glacial	Yes	Hydrochloric Acid	Yes
Ethanol	Yes	Benzene	No	Hydrogen Peroxide	Yes
Chloroform	No	Boric Acid	Yes	Kerosene	No
Magnesium Chloride	Yes	1,3-Butadiene	Yes	Sulfuric Acid 95%	No
Mineral Oil	Yes	Calcium Hydroxide	Yes	Sulfuric Acid 20%	Yes

ahn



+49(0)3631/65242-0



+49(0)3631/65242-90



Uthleber Weg 14 | 99734 Nordhausen | Germany



info@cappahn.com



www.ahn-bio.de

